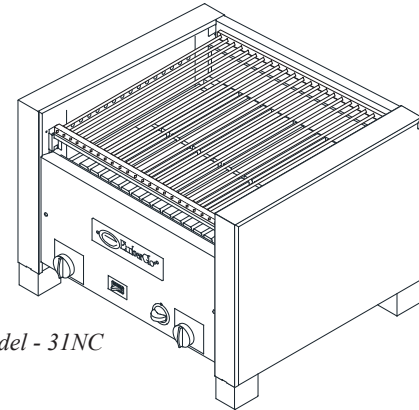


Replacement Parts List

Gas Char Broilers Models 31N



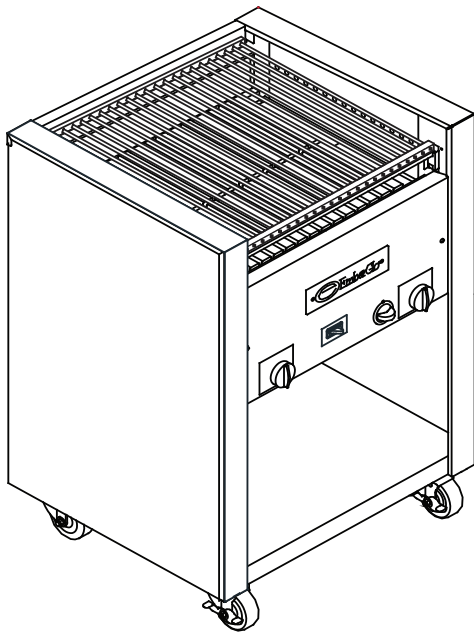
Counter Top Model - 31NC
Open Front

Installation and Service Manual - 8448-24
Date Code - September 1959

Items listed are replacement parts for the current Model 31N Series EmberGlo® Broiler.

Model 31 first construction September 1959. Dual pilot model with eight burners. Early models used two hearth blocks of unequal size; later revised to utilize two equal blocks.

July 2012 - Floor bricks revised from two equal sized bricks to three equal sized bricks.



Floor Model - 31NF
Open Front

<i>Models</i>	<i>Description</i>	<i>BOMs</i>
<i>Natural Gas</i>		
31NC	Open Front - Counter	5020504
31NF	Open Front - Floor	5020604
<i>Propane Gas</i>		
31NC	Open Front - Counter	5120504
31NF	Open Front - Floor	5120604



EmberGlo®

EmberGlo
A Div of Midco® International Inc.
4140 West Victoria Street
Chicago, Illinois 60646
toll free 866.705.0515
tel 773.604.8700
fax 773.604.4070
web www.emberglo.com
e-mail sales@emberglo.com



AVOID ERROR IN PARTS SELECTION. When ordering use complete MIDCO Part Number and Description. Furnish Burner Model Number, Bill of Material Number and Serial Number (if available) from the specification plate found on the product.

IMPORTANT: Availability of parts as well as specifications are subject to change without notice. Please consult factory for item availability.



As an ISO 9001:2008 certified company, we proudly design, manufacture and assemble our products in Chicago, Illinois, USA.

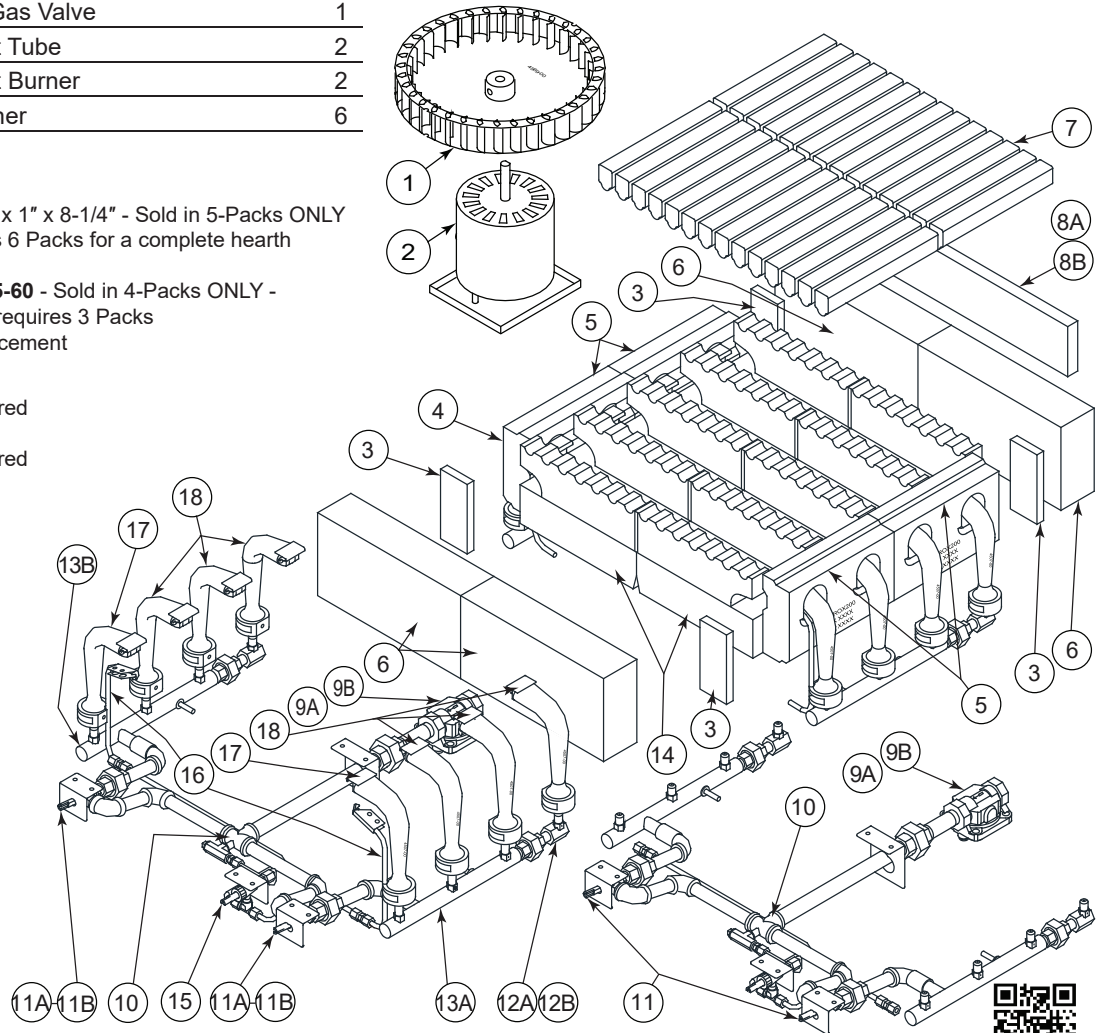
Quality Designed for Proven Performance

425
8473 03
Printed in USA

Exploded View - Gas Broiler Model 31N Series Parts List

Item Part #	Description	Qty
1	4569-00 7-1/8" X 1.0" CW Blower Wheel	1
2	8435-04R Flaretrol® Motor	1
3	4717-00 Firebrick Filler Block	4
4 ²	4585-60 Support Bricks - 4 per Pack	² 3 Pcks
5	4508-10 Burner Tile Model 31	4
6	4629-22 Front and Back Wall Block Model 31N	4
7 ¹	4585-50 Barbrig Ceramic 81/4" L - 5 per Pack	¹ 6 Pcks
8A ³	4630-01 31N Marinite (uses 1)	³ 1
8B ³	4630-05 31N Marinite (uses 1)	³ 1
9A	8416-35 1/2" Regulator - Natural Gas	1
9B	8416-36 1/2" Regulator - Propane Gas	1
10	4733-30 Ball Valve Tee w/ Tap Assembly - 31N	1
11A	4825-03R Valve Stem Extension Kit	2
11B	4708-10 Valve Ball Assembly	2
12A	4574-42 Stamped Orifice Propane Gas Model 31 # 65 (.035") Drill	8
12B	4574-44 Stamped Orifice Natural Gas Model 31 # 54 (.055") Drill	8
13A	4713-02 31 Left Manifold	1
13B	4713-01 31 Right Manifold	1
14	4634-04 Floor Brick	2
15	8401-03 1/8" Pilot Gas Valve	1
16	4518-07 Broiler Pilot Tube	2
17	4507-15 Broiler Pilot Burner	2
18	4507-12 Broiler Burner	6

- 1 **Barbrig** - Item # **4585-50** - 1" x 1" x 8-1/4" - Sold in 5-Packs ONLY
Models 31N series requires 6 Packs for a complete hearth replacement
- 2 **Support Bricks** - Item # **4585-60** - Sold in 4-Packs ONLY -
Models 31N & 31N Kabob requires 3 Packs for a complete hearth replacement
- 3 **Use 4630-01** If broiler is ordered BEFORE 9/1/19
Use 4630-05 If broiler is ordered AFTER 9/1/19



Item Part #	Description	Qty
	Not Shown	
1403-70R	Power Cord 120 v	1
4508-82	Propane to Natural Conversion Kit	
4508-92	Natural to Propane conversion Kit	
4581-50	Main Valve Knob	2
4720-10	Stainless Steel Foot - Countertop Gas Broilers	
4724-10	31N Cooking Grill Grate Rolled Steel	1
8423-01R	Flaretrol Switch	1
8445-03	Pilot Knob	1
8450-12	Adjustable Leg for floor model (31NF)	4

Accessories / Options - Not Shown

1420-39	Gas Broiler Grill Brush - all Models	
4724-15	31N Stainless Steel Cooking Grill Grate	
4508-54	Kabob Broiler Conversion Kit for 31N Gas Broiler (includes 10 Skewers)	
4508-81	Propane to Natural Conversion Kit	
4508-91	Natural to Propane conversion Kit	
4576-20	Rods (Packs of 12 - 31N requires 3 Packs)	
4577-01	Briquettes (20 lb Carton - 31N requires 2 Cartons)	
2060150	31N Gas Broiler Splash Guard Set SS	

