



Replacement Parts

List

EmberGlo® Steamer - Models ES5PBS, ES5PBS18 & ES5PBST

*Tap Water Operation
Designed to Operate
Without Distilled Water
Self Contained Water Supply*



★MADE in the USA★

Push Button Operation Steamer with Water Pan

Installation and Service Manual - 8449-96
Date Code - ES5PBS & ES5PBS18
first constructed October, 2007

Items listed are replacement parts for the current Model ES5PBS & ES5PBS18 Tap Water Steamer and its components.

- EmberGlo Steamers do not require a separate hood for vapor produced during operation according to the Uniform Mechanical Codes per the International Conference of Building Officials Code.

<i>Models</i>	<i>Description</i>	<i>Volts</i>	<i>BOMs</i>
<i>1500W</i>			
ES5PBS	Push Button Operation with Water Pan	120V	5400730
ES5PBS	Push Button Operation with Water Pan	240V	5400737
ES5PBST	Tortilla Steamer - Push Button Operation with Water Pan	120V	5400731
<i>1800W</i>			
ES5PBS18	Push Button Operation with Water Pan	120V	5400740



EmberGlo®

EmberGlo
A Div of Midco® International Inc.
4140 West Victoria Street
Chicago, Illinois 60646
toll free 866.705.0515
tel 773.604.8700
fax 773.604.4070
web www.emberglo.com
e-mail sales@emberglo.com

AVOID ERROR IN PARTS SELECTION. When ordering use complete MIDCO Part Number and Description. Furnish Burner Model Number, Bill of Material Number and Serial Number (if available) from the specification plate found on the product.

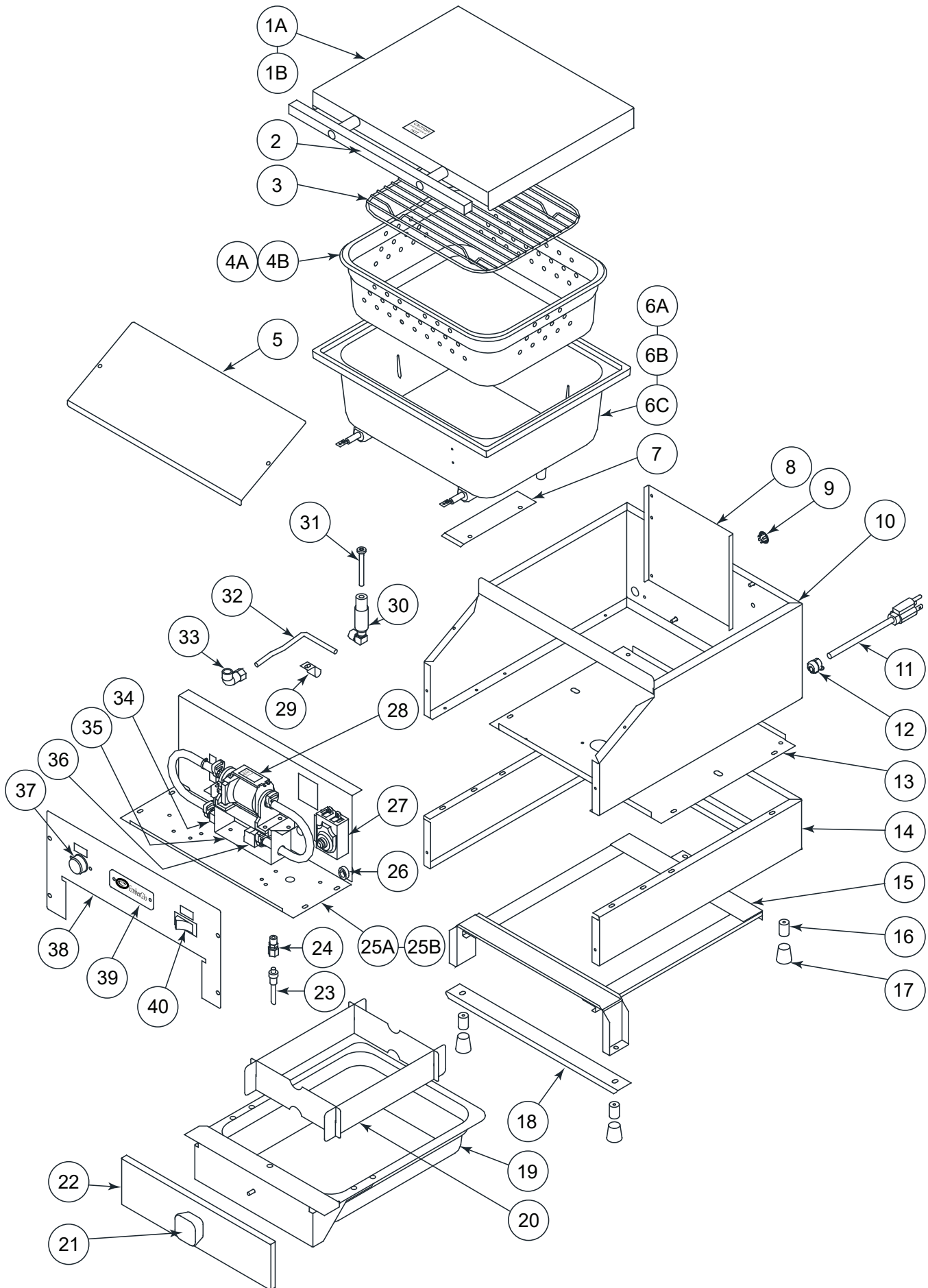
IMPORTANT: Availability of parts as well as specifications are subject to change without notice. Please consult factory for item availability.



Quality Designed for Proven Performance

320
8472 99
Printed in USA

ES5PBS, ES5PBS18 & ES5PBST- Exploded View



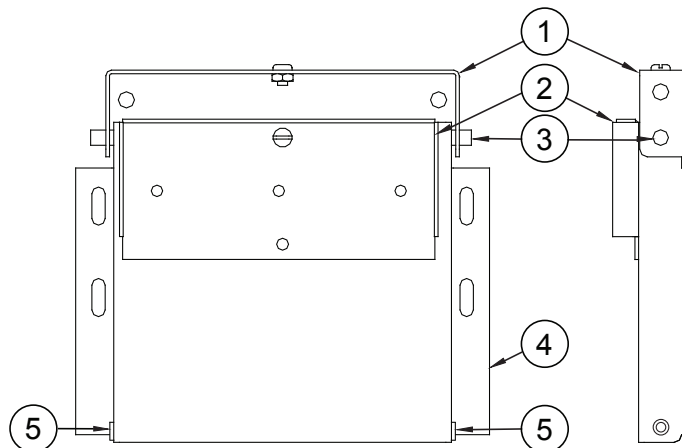
ES5PBS, ES5PBS18 & ES5PBST - Parts List

Item	Part #	Description	Qty	Item	Part #	Description	Qty
1A	1420-80R	Lid Assembly	1	29	1409-60	Tube Clip	1
1B	1420-81R	Lid Assembly - 1800 Series ONLY	1	30	1402-70	Water Inlet Assembly	1
2	1435-00	Lid Handle Replacement Kit	1	31	1411-20	Water Nozzle with Spring	1
3	5608-50	Food Pan Grid	1	32	1415-70	TS Water Tube	1
4A	1401-90	ES5 Food Pan	1	33	8483-37	1/8F X 1/4T Comp EL	1
4B	5609-15	ES5 Tortilla Food pan - fully perforated	1	34	8483-15	1/8" Brass Street EL	1
5	1401-21	Control Box Cover - ES5PBS	1	35	1417-00	Pump Bracket	1
6A	1401-61	ES5 Generator - 220V, 1500W	1	36	8483-36	1/8 Brass EL	1
6B	1401-63	ES5 Generator - 120V, 1800W	1	37	8423-22	Push Button Switch	1
6C	1401-64	ES5 Generator - 120V, 1500W	1	38	1417-22	Switch Panel - ES5PBS	1
7	1401-30	ES5 Bulb Clamp	1	39	5622-00	Name Plate	1
8	1409-00	Stiffener	1	40	8423-15	On/Off Rocker Switch	1
9	8451-89	Plug Button HS51156-K1110	2	Not Shown			
10	1400-40	Shell Weldment	1	1411-60	ES5PBS Wire Set (Less Power Cord)	1	
11	1403-70	ES5 Power Cord-120V	1	1420-00	Spring Bar	2	
12	8457-46	Strain Relief	1	1420-40	ES5 Hinge Spring	2	
13	1401-10	Rear Bottom	1	1421-45	Back Hinge Kit (Less Spring Bar & Spring)	1	
14	1407-10	Water Pan Shell Weldment	1	8451-74	Strainer	1	
15	1406-50	Water Pan Slide Weldment	1	8452-64	1/2 Size Perforated Pan 4" Deep	1	
16	5661-80	Aluminum Leg	4	Accessories - Not Shown			
17	8450-25	Socket Tip	4	5608-70	Three in 1 Basket Kit w/ Handle		
18	1407-70	Leg Channel	1	5682-60	Tortilla Rack - Grid Style - Note: one Tortilla Rack is included with Tortilla Steamer -ES5PBST		
19	1402-10	Water Pan	1	5608-72	1/2 Size Basket w/ Handle		
20	1411-00	Water Pan Baffle Set	1	5608-73	Two of 1/4 Size Basket w/ Handle		
21	8445-01	Cover Knob	1	5609-15	1/2 Size Perforated Water Pan		
22	1408-90	Water Pan Front	1	8450-62	Steam Generator Cleaning Brush		
23	1416-00	Dip Tube Assembly	1	2070610	Egg Poacher 4 Cup		
24	8483-14	1/8" x 1/4" Straight Connector	1	2070615	Egg Poacher 6 Cup		
25A	1417-40	Front Bottom	1				
25B	1417-41	Front Bottom-220V	1				
26	8484-76	Shorty Bush B-500-375	2				
27	1412-41	Thermal Fuse /Thermostat Kit	1				
28	1435-12	Pump Replacement Kit	1				

ADJUSTABLE HINGE FOR 2-POSITION LID OPENING (60° OR 90° OPEN)

First construction January 29, 1990 (date code 0590). Steamers built before this date featured a 90° opening lid. Replacement parts for the early construction are no longer available. When replacing order Part Number 1421-45 ADJUSTABLE HINGE RETROFIT KIT.

Part # or Item #	Description	Qty
1	Adjustable Upper Hinge	1
2	Lid Stop Rivetment	1
3	Upper Hinge Bar	1
4	Adjustable Lower Hinge	1
5	5/16" x 3/16" O-Ring	2
Not Shown - (Sold Separately)		
1420-00	Spring bar	2
1420-40	ES5 Hinge Spring	2



ES5PBS, ES5PBS18 & ES5PBST



★ **MADE** in the **USA** ★

EmberGlo - *A Division of Midco International* - 4140 West Victoria Street - Chicago, Illinois 60646

toll free: 866 705 0515 - tel: 773.604.8700 - fax: 773.604.4070 - web: www.emberglo.com - e-mail: sales@emberglo.com



320
8472 99
Printed in USA