

# Replacement Parts



## List EmberGlo® Steamer Model ES5PB ES5PB18 & ES5PBT

*Tap Water Operation  
Designed to Operate  
Without Distilled Water  
Direct Water Supply Hookup*

★ MADE in the USA ★

Manual Push Button Operation  
Steamer with Direct Water Hookup



Installation and Service Manual - 8449-96

Date Code - Model ES5PB & ES5PB18  
first construction May, 1983

Items listed are replacement parts for the current Model ES5PB & ES5PB18 Tap Water Steamer and its components.

- EmberGlo Steamers do not require a separate hood for vapor produced during operation according to the Uniform Mechanical Codes per the International Conference of Building Officials Code.

<i>Models</i>	<i>Description</i>	<i>Volts</i>	<i>BOMs</i>
<i>1500W</i>			
ES5PB	Push Button Operation with Direct Water Connect	120V	5400733
ES5PB	Push Button Operation with Direct Water Connect	240V	5400734
ES5PBT	Push Button Operation with Direct Water Connect, Tortilla	120V	5400735
<i>1800W</i>			
ES5PB18	Push Button Operation with Direct Water Connect	120V	5400732



**EmberGlo®**

EmberGlo  
A Div of Midco® International Inc.  
4140 West Victoria Street  
Chicago, Illinois 60646  
toll free 866.705.0514  
tel 773.604.8700  
fax 773.604.4070  
web www.emberglo.com  
e-mail sales@emberglo.com

**AVOID ERROR IN PARTS SELECTION.** When ordering use complete EmberGlo Part Number and Description. Furnish Model Number, Bill of Material Number and Serial Number (if available) from the specification plate found on the product.

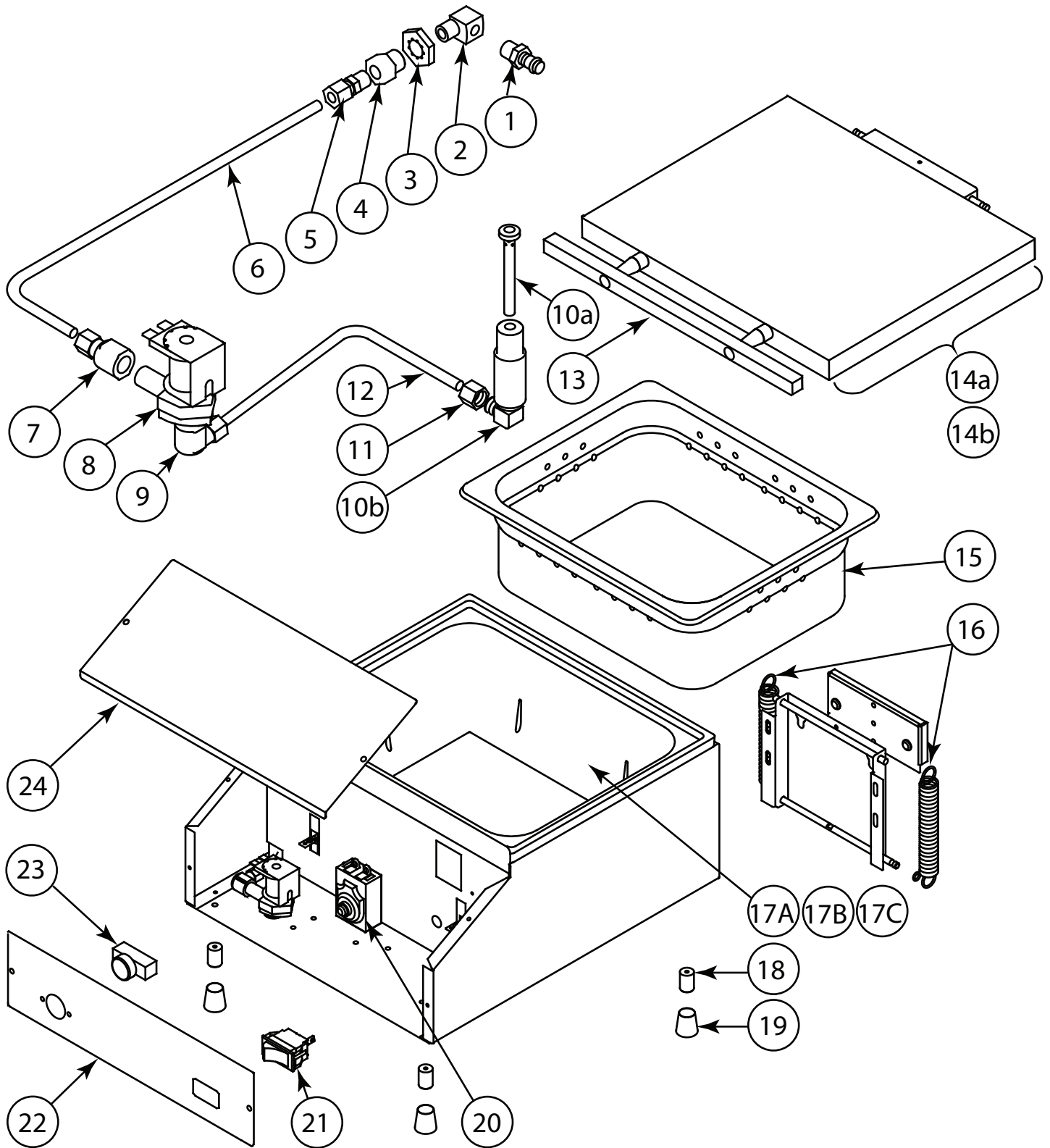
**IMPORTANT:** Availability of parts as well as specifications are subject to change without notice.

*As an ISO 9001:2008 certified company, we proudly design, manufacture and assemble our products in Chicago, Illinois, USA.*

*Quality Designed for Proven Performance*

818  
8472 52  
Printed in USA

# ES5PB, ES5PB18 & ES5PBT - Exploded View



# ES5PB, ES5PB18 & ES5PBT - Parts List

Item#	Part #	Description	Qty	Item#	Part #	Description	Qty
1	8451-47	1/8" Quick Connect Insert	1	<b>Not shown</b>			
2	8483-15	1/8" Brass Street El	1	1403-70R	Power Cord 120V Repair Assembly	1	
3	Hardware	Pal Nut	1	1408-70	Hose Assembly	1	
4	1408-40	Bulkhd FTG	1	1420-00	Spring Bar	2	
5	8483-14	1/8" X 1/4" Straight Connector	1	1421-45	Back Hinge Replacement Kit	1	
6	1408-50	Long Water Tube and Fittings	1	1412-70	Generator Shell Assembly	1	
7	8483-16	1/4 X 1/4 Comp El	1	5608-50	Food Pan Grid 1/2" Tall	1	
8	8402-26	1/4" Water Solenoid Valve - 120v	1	5608-51	Food Pan Grid 1 1/2" Tall	1	
9	8483-49	1/4 X 1/4 Comp Straight	1	5622-00	Emberglo Name Plate	1	
10a	1411-20	Nozzle Tube Assembly w/ Spring	1	8432-08	O Ring	1	
10b	1402-70	Water Inlet Assembly	1	8451-46	Strainer	1	
11	Hardware	Brass Hex Nut	1	8451-47	1/8" Quick Connect Insert	1	
12	1408-60	Short Water Tube and Fittings	1	8451-48	1/8" Quick Connect Body	1	
13	1435-00	Lid Handle Replacement Kit	1	8451-49	Female Hose Barb	2	
14a	1420-80R	Lid Assembly (Lid Handle included)	1	8452-64	1/2 Size Perforated Pan 4" Deep	1	
14b	1420-81R	Lid Assembly 1800 Series only (Lid Handle included)	1	8457-46	Strain Relief	1	
15	1401-90	ES5 Food Pan	1	<b>Accessories - Not Shown</b>			
16	1420-40	Hinge Spring	2	5682-60	Tortilla/Pita Rack - Grid Style		
17A	1401-64	Generator (120 volt)	1	5608-70	Three in 1 Basket Kit w/ Handle		
17B	1401-61	Generator (220 volt)	1	5608-72	1/2 Size Basket w/ Handle		
17C	1401-63	Generator (1800 Watt)	1	5608-73	Two of 1/4 Size Basket w/ Handle		
18	5661-80	Aluminum Leg	4	5609-15	1/2 Size Perforated Water Pan		
19	8450-25	Socket Tip	4	8450-62	Steam Generator Cleaning Brush		
20	1412-41	Thermal Fuse /Thermostat Kit	1	2070610	Egg Poacher - 4 Cup		
21	8423-15	On/Off Rocker Switch	1	2070615	Egg Poacher - 6 Cup		
22	1409-20	PB Switch Panel	1				
23	8423-22	Push Button Switch	1				
24	1401-21	Control Box Cover	1				

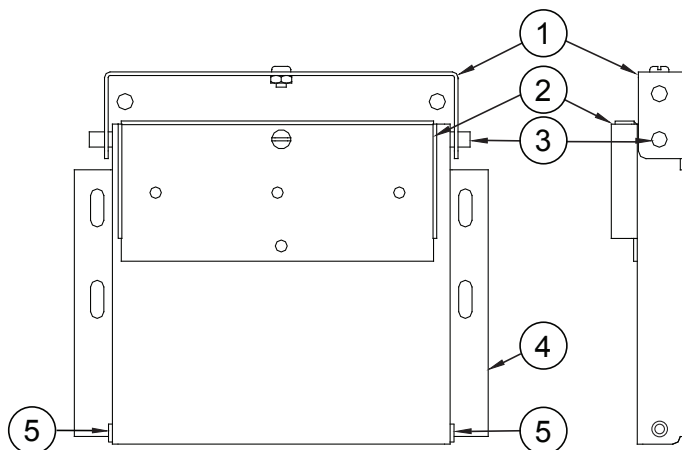
## ADJUSTABLE HINGE FOR 2-POSITION LID OPENING (60° OR 90° OPEN)

First construction January 29, 1990 (date code 0590). Steamers built before this date featured a 90° opening lid. Replacement parts for the early construction are no longer available. When replacing order Part Number 1421-45 ADJUSTABLE HINGE RETROFIT KIT.

Part # or Item #	Description	Qty
1	Adjustable Upper Hinge	1
2	Lid Stop Rivetment	1
3	Upper Hinge Bar	1
4	Adjustable Lower Hinge	1
5	5/16" x 3/16" O-Ring	2

Not Shown - (Sold Separately)

1420-00	Spring bar	2
1420-40	ES5 Hinge Spring	2



# ES5PB, ES5PB18 & ES5PBT

---

★MADE in the USA★

*As an ISO 9001:2008 certified company, we proudly design, manufacture and assemble our products in Chicago, Illinois, USA.*

EmberGlo - A Division of Midco International - 4140 West Victoria Street - Chicago, Illinois 60646

toll free: 866 705 0515 - tel: 773.604.8700 - fax: 773.604.4070 - web: [www.emberglo.com](http://www.emberglo.com) - e-mail: [sales@emberglo.com](mailto:sales@emberglo.com)

