



Replacement Parts

List EmberGlo® Steamer Models ES5CTS & ES5CTS18

*Tap Water Operation
Designed to Operate
Without Distilled Water
Self Contained Water Supply*

★MADE in the USA★

Automatic Timer/Push Button Operation
Steamer with Water Pan

Date Codes:

Cubic Style Timer Models ES5CTS & ES5CTS18

- first construction January 2014

Replacement Model numbers for Old Style Timer Models, that are no longer manufactured and replaced with the Cubic Style Timer:

ES5TS is replaced with ES5CTS

ES5TS18 is replaced with ES5CTS18

Items listed are replacement parts for the current Model ES5CTS & ES5CTS18 Tap Water Steamers and its components.

- EmberGlo Steamers do not require a separate hood for vapor produced during operation according to the Uniform Mechanical Codes per the International Conference of Building Officials Code.



Installation and Service Manual - 8449-96

<i>Models</i>	<i>Description</i>	<i>Volts</i>	<i>BOMs</i>
1500W			
ES5CTS	Timer Operation with Water Pan	120V	5400754
ES5CTS	Timer Operation with Water Pan	240V	5400756
1800W			
ES5CTS18	Timer Operation with Water Pan	120V	5400755



EmberGlo®

EmberGlo
A Div of Midco® International Inc.
4140 West Victoria Street
Chicago, Illinois 60646
toll free 866.705.0514
tel 773.604.8700
fax 773.604.4070
web www.emberglo.com
e-mail sales@emberglo.com

AVOID ERROR IN PARTS SELECTION. When ordering use complete EmberGlo Part Number and Description. Furnish Model Number, Bill of Material Number and Serial Number (if available) from the specification plate found on the product.

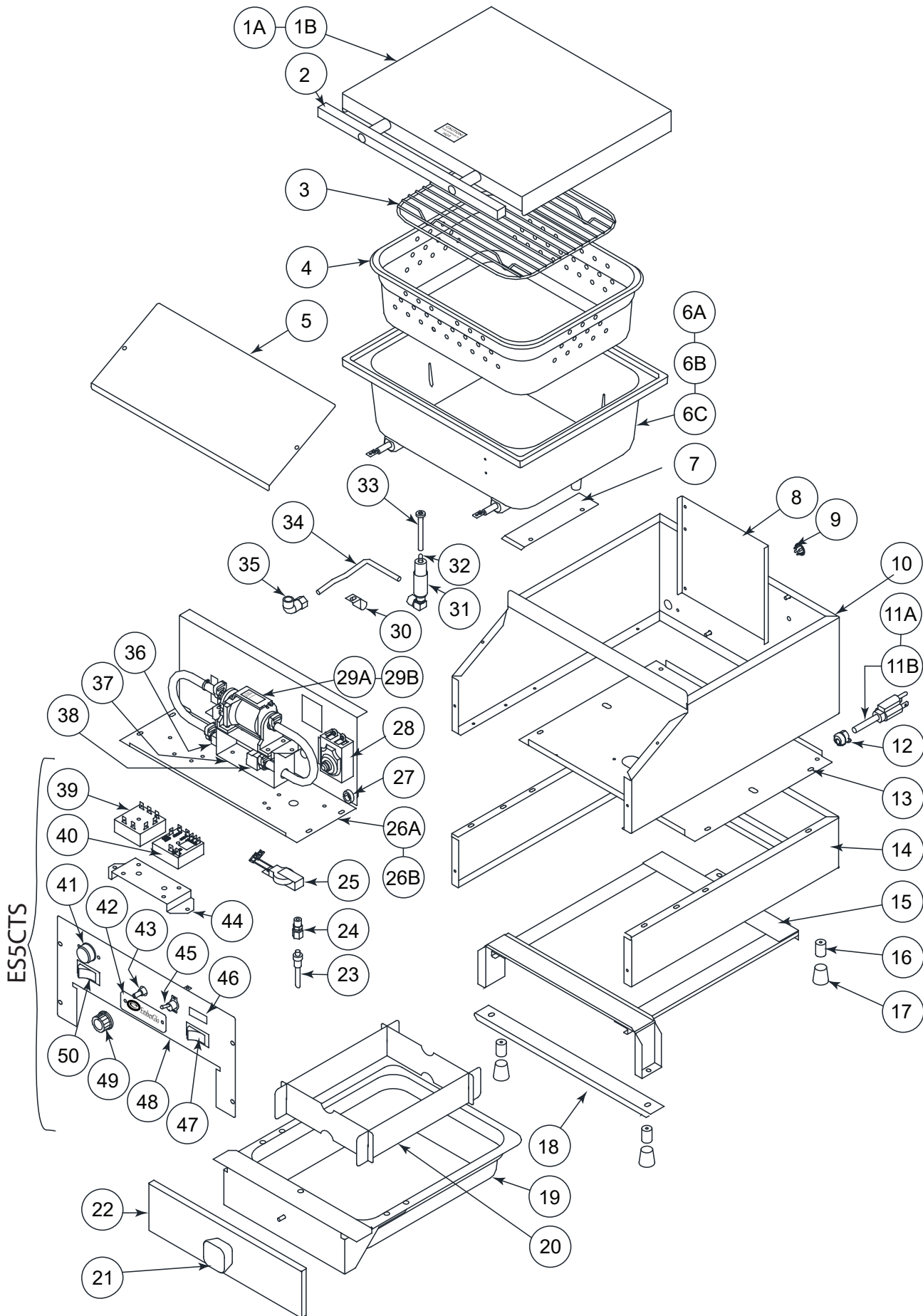
IMPORTANT: Availability of parts as well as specifications are subject to change without notice.

As an ISO 9001:2008 certified company, we proudly design, manufacture and assemble our products in Chicago, Illinois, USA.

Quality Designed for Proven Performance

419
8472 51
Printed in USA

ES5CTS & ES5CTS18 Exploded View



ES5CTS & ES5CTS18 Parts List

Part #	Description	Qty	Part #	Description	Qty
1A	1420-80R Lid Assembly	1	30	1409-60 Tube Clip	1
1B	1420-81R Lid Assembly - 1800 Series Only	1	31	1402-70 Water Inlet Assembly	1
2	1435-00 Lid Handle Replacement Kit	1	32	1412-60 Nozzle Spring	1
3	5608-50 Food Pan Grid	1	33	1411-20 Water Nozzle with Spring	1
3B	5608-51 Food Pan Grid 1.5" Tall	1	34	1415-70 TS Water Tube	1
4	1401-90 ES5 3-Hole Food Pan	1	35	8483-37 1/8F X 1/4T Comp EL	1
5	1401-21 Control Box Cover	1	36	8483-15 1/8" Brass Street EL	1
6A	1401-61 ES5 Generator - 220V, 1500W	1	37	1417-00 TS Pump Bracket	1
6B	1401-63 ES5 Generator - 120V, 1800W	1	38	8483-36 1/8" Brass EL	1
6C	1401-64 ES5 Generator - 120V, 1500W	1	39	8406-92 Recycle Timer 606 - External Resistor *	1
7	1401-30 ES5 Bulb Clamp	1	40	8406-64 One Shot Timer 844B - ES5CTS / CTS18	1
8	1409-00 Stiffener	1	41	8423-22 Push Button Switch	1
9	8451-89 Plug Button HS51156-K1110	1	42	5622-00 Name Plate	1
10	1400-40 Shell	1	43	8408-92 1 Meg Ohm Potentiometer - ES5CTS / CTS18	1
11A	1403-70 ES5 Power Cord-120V	1	44	1416-80 Steamer Cube & Pump Bracket - ES5CTS / CTS18	1
11B	1415-10 ES5 Power Cord-220V	1	45	8423-43 On/Off Toggle Switch - ES5CTS / CTS18	1
12	8457-46 Strain Relief	1	46	8408-66 Pilot-Light Ready-120V	1
13	1401-10 Rear Bottom	1	47	8423-15 On/Off Rocker Switch	1
14	1407-10 Water Pan Shell	1	48	1417-23 Front Panel - ES5CTS / CTS18	1
15	1406-50 Water Pan Slide	1	49	8445-27 Control Knob - ES5CTS / CTS18	1
16	5661-80 Aluminum Leg	4	50	8423-35 Mode Rocker Switch - ES5CTS / CTS18	1
17	8450-25 Socket Tip	4			
18	1407-70 Leg Channel	1			
19	1402-10 Water Pan	1			
20	1411-00 Water Pan Baffle Set	1			
21	8445-01 Cover Knob	1			
22	1408-90 Water Pan Front	1	Not Shown		
23	1416-00 TS Dip Tube Assembly	1	1420-00	Spring Bar	2
24	8483-14 1/8" x 1/4" Straight Connector	1	1420-40	ES5 Hinge Spring	2
25	1425-00 Buzzer Assembly – 120V	1	1421-45	Back Hinge Kit (Less Spring Bar & Spring)	1
26A	1417-40 TS Manual Front Bottom	1	8451-74	Strainer	1
26B	1417-41 TS Front Bottom -220V	1			
27	8484-76 Shorty Bush B-500-375	1	Accessories - Not Shown		
28	1412-41 Thermal Fuse/ Thermostat Kit	1	5608-70	Three in 1 Basket Kit w/ Handle	
29A	1435-12 Pump Replacement Kit	1	5682-60	Tortilla Rack - Grid Style	
29B	1423-05 Pump Assembly 220/1/50	1	5608-72	1/2 Size Basket w/ Handle	
			5608-73	Two of 1/4 Size Basket w/ Handle	
			5609-15	1/2 Size Perforated Water Pan	
			8450-62	Steam Generator Cleaning Brush	
			2070610	Egg Poacher 4 Cup	
			2070615	Egg Poacher 6 Cup	

*** NOTE: Old Timer Style Models - ES5TS, ES5TS18 & ES5PCS**

The EmberGlo **ES5TS, ES5TS18 & ES5PT** timer model steamers will not be manufactured after January 2014. The timers in these models are no longer available and were replaced with cubic style timer (CT Timers) models as follows:

ES5TS - replace with ES5CTS

ES5TS18 - replace with ES5CTS18

ES5PT - replace with ES5PCS

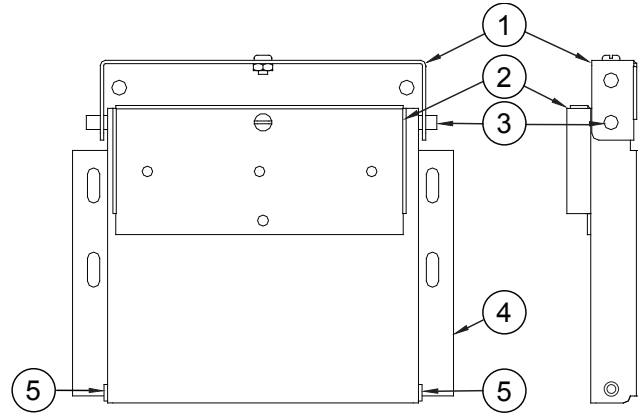
Aside from the timers all of the other parts remain the same. Call the manufacturer or your local representative for further details or assistance on these old style timer steamers.

ES5CTS & ES5CTS18 - Replacement Parts

ADJUSTABLE HINGE FOR 2-POSITION LID OPENING (60° OR 90° OPEN)

First construction January 29, 1990 (date code 0590). Steamers built before this date featured a 90° opening lid. Replacement parts for the early construction are no longer available. When replacing order Part Number 1421-45 ADJUSTABLE HINGE RETROFIT KIT.

Part # or Item #	Description	Qty
1	Adjustable Upper Hinge	1
2	Lid Stop Rivetment	1
3	Upper Hinge Bar	1
4	Adjustable Lower Hinge	1
5	5/16" x 3/16" O-Ring	2
Not Shown - (Sold Separately)		
1420-00	Spring bar	2
1420-40	ES5 Hinge Spring	2



★ MADE in the USA ★

As an ISO 9001:2008 certified company, we proudly design, manufacture and assemble our products in Chicago, Illinois, USA.

EmberGlo - A Division of Midco International - 4140 West Victoria Street - Chicago, Illinois 60646

toll free: 866 705 0515 - tel: 773.604.8700 - fax: 773.604.4070 - web: www.emberglo.com - e-mail: sales@emberglo.com