



★ MADE in the USA ★

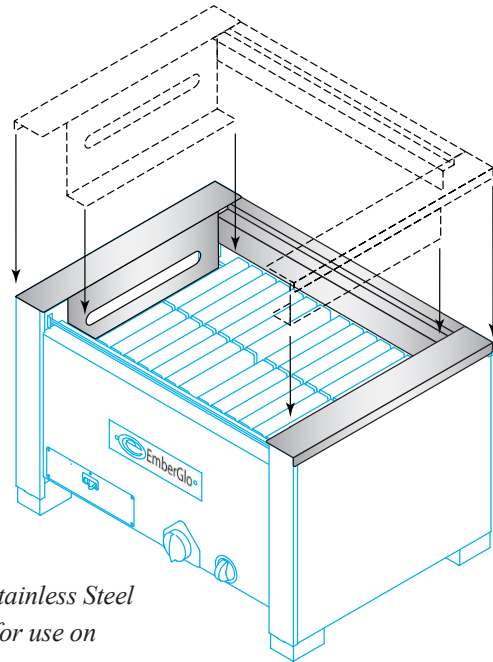
## Splash Guards - Gas Char Broilers for Model 25W Series - 2060130

**CAUTION:** Read and understand this service bulletin thoroughly before starting. Only a trained, experienced service technician should attempt this service procedure.

### Splash Guard Set (2060130) Includes:

- Side Splash Guards 4508-75 2 Qty
- Back Splash Guard 4508-76 1 Qty
- Service Bulletin 8476-03 1 Qty

Protect the inside walls of your broiler from splatters with the dishwasher safe stainless steel Splash Guards. The Guards easily slip over the sides and back of a 25W Series Gas Kabob Broiler. They are made of sturdy stainless steel and are dishwasher safe.



*Splash Guards - Stainless Steel  
Dishwasher Safe for use on  
Model 25W Series  
Set of 2 Sides & 1 Back Side Guards  
2060130*

**AVOID ERROR IN PARTS SELECTION.** When ordering use complete EmberGlo Part Number and Description. Furnish the Product Model Number, Bill of Material Number and Serial Number (if available) from the specification plate found on the product.

**IMPORTANT:** Availability of parts as well as specifications are subject to change without notice. Please consult factory for item availability.

**SAFETY INFORMATION TERMS:** The following terms are used to identify hazards, safety precaution of special notations and have standard meanings throughout this manual. They are printed in all capital letters using a bold type face as shown below, and preceded by the exclamation mark symbol. When you see the safety alert symbol and one of the safety information terms as shown below, be aware of the hazard potential.



- DANGER:** Identifies the most serious hazards which will result in severe personal injury or death.
- WARNING:** Signifies a hazard that could result in personal injury or death.
- CAUTION:** Identifies unsafe practices which would result in minor personal injury or product and property damage.



EmberGlo  
A Div of Midco® International Inc.  
4140 West Victoria Street  
Chicago, Illinois 60646  
toll free 866.705.0515  
tel 773.604.8700  
fax 866.580.8700  
web www.emberglo.com  
e-mail sales@emberglo.com

*As an ISO 9001:2008 certified company, we proudly design, manufacture and assemble our products in Chicago, Illinois, USA.*

*Quality Designed for Proven Performance*

815  
**8476-03**  
Printed in USA