

Replacement Parts



EmberGlo

List Kabob Gas Broiler Model 25W



★ MADE in the USA ★



Model Shown
25WF
Open Front

Installation and Service Manual - 8448-24

Date Code - Kabob Gas Broiler
25W series - first construction March 2015

| <i>Models</i> | <i>Description</i> | <i>BOMs</i> |
|--------------------|----------------------|-------------|
| <i>Natural Gas</i> | | |
| 25WC Kabob | Open Front - Counter | 5010504 |
| 25WF Kabob | Open Front - Floor | 5010604 |
| <i>Propane Gas</i> | | |
| 25WC Kabob | Open Front - Counter | 5110504 |
| 25WF Kabob | Open Front - Floor | 5110604 |



EmberGlo

EmberGlo
A Div of Midco® International Inc.
4140 West Victoria Street
Chicago, Illinois 60646
toll free 866.705.0515
tel 773.604.8700
fax 866.580.8700
web www.emberglo.com
e-mail sales@emberglo.com



AVOID ERROR IN PARTS SELECTION. When ordering use complete EmberGlo Part Number and Description. Furnish Model Number, Bill of Material Number and Serial Number (if available) from the specification plate found on the product.

IMPORTANT: Availability of parts as well as specifications are subject to change without notice.

As an ISO 9001:2008 certified company, we proudly design, manufacture and assemble our products in Chicago, Illinois, USA.

Quality Designed for Proven Performance

1215
8473 01
Printed in USA

Kabob Gas Broiler - Model 25W - Parts and Isometric View

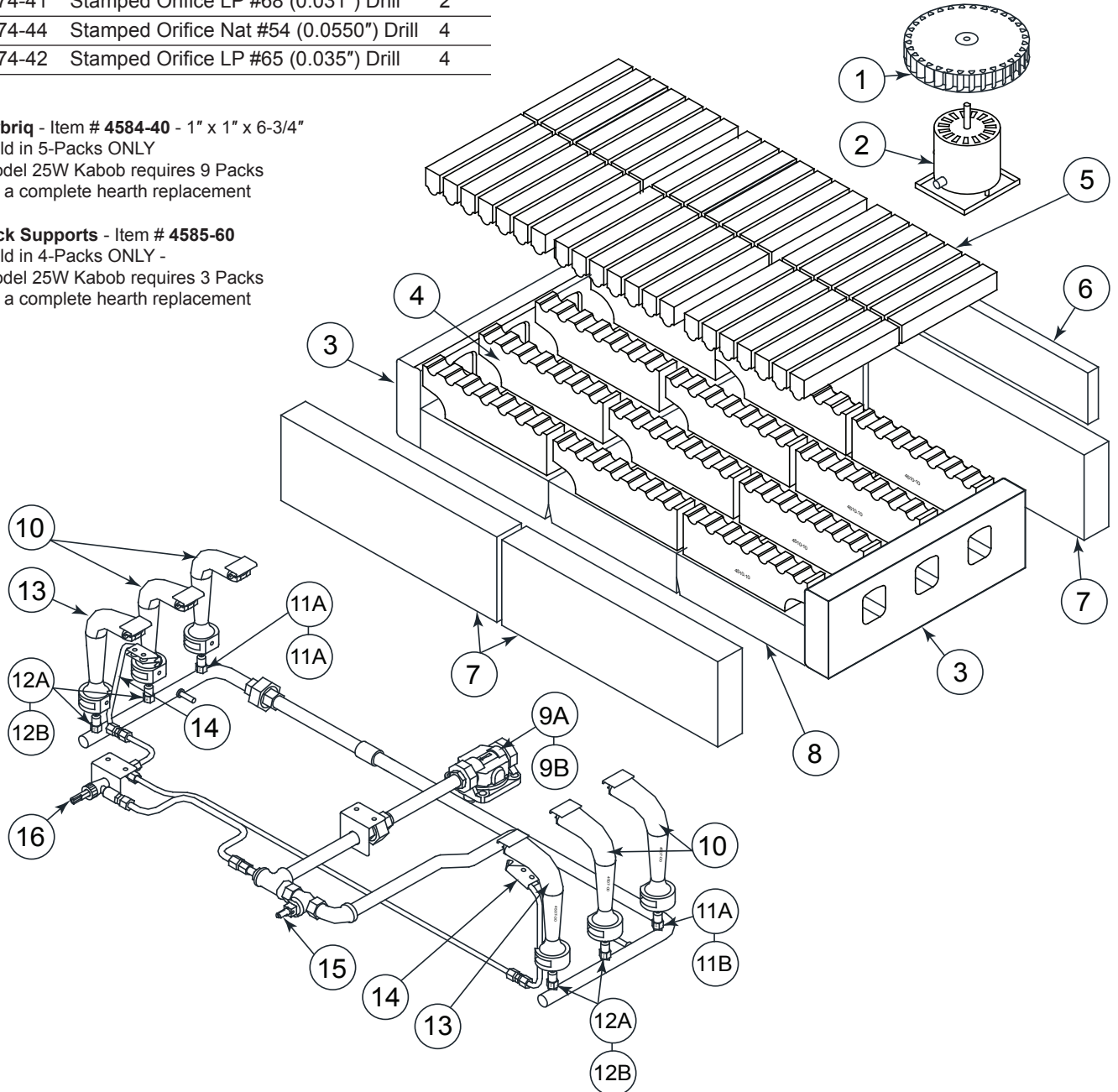
| Item | Part # | Description | Qty |
|------|---------|--|-------|
| 1 | 4626-00 | 6-5/16" X 1" CW Blower Wheel | 1 |
| 2 | 8435-04 | Flaretrol Motor | 1 |
| 3 | 4513-50 | 25 Burner Tile | 2 |
| 4 * | 4585-60 | Grate Support - (4 per Pack) ² | 3 Pks |
| 5 * | 4584-40 | 6-3/4" Ceramic Barbrig - (5 per Pack) ¹ | 9 Pks |
| 6 | 4630-03 | Marinite | 1 |
| 7 | 4629-25 | 25W Front & Back Wall Block | 4 |
| 8 | 4634-02 | 25W Floor Brick | 3 |
| 9A | 8416-35 | 1/2" Regulator - Natural | 1 |
| 9B | 8416-36 | 1/2" Regulator - Propane | 1 |
| 10 | 4507-12 | Broiler Burner | 4 |
| 11A | 4574-43 | Stamped Orifice Nat #56 (0.0465") Drill | 2 |
| 11B | 4574-41 | Stamped Orifice LP #68 (0.031") Drill | 2 |
| 12A | 4574-44 | Stamped Orifice Nat #54 (0.0550") Drill | 4 |
| 12B | 4574-42 | Stamped Orifice LP #65 (0.035") Drill | 4 |

| Item | Part # | Description | Qty |
|------|---------|------------------------------|-----|
| 13 | 4507-15 | Broiler Pilot Burner | 2 |
| 14 | 4518-07 | Broiler Pilot Tube | 2 |
| 15 | 4625-90 | Model 25 Ball Valve Assembly | 1 |
| 16 | 8401-03 | 1/8" Pilot Gas Valve | 1 |

Accessories - Not Shown

| | |
|---------|---|
| 2060130 | Side Splash Guards SS Dishwasher Safe - Set of 2 |
| 2070702 | Veggie / Seafood Grate for Broiler Model 25 |
| 1420-39 | Gas Broiler Grill Brush - all Gas Broiler 25 Models |
| 4508-68 | Skewer Pack - (10 pieces) Model 25 |
| 4638-30 | 25W Cooking Grill Grate |

- * 1 **Barbrig** - Item # 4584-40 - 1" x 1" x 6-3/4"
Sold in 5-Packs ONLY
Model 25W Kabob requires 9 Packs
for a complete hearth replacement
- 2 **Brick Supports** - Item # 4585-60
Sold in 4-Packs ONLY -
Model 25W Kabob requires 3 Packs
for a complete hearth replacement



★MADE in the USA★

As an ISO 9001:2008 certified company, we proudly design, manufacture and assemble our products in Chicago, Illinois, USA.

EmberGlo - A Division of Midco International - 4140 West Victoria Street - Chicago, Illinois 60646

toll free: 866 705 0515 - tel: 773.604.8700 - fax: 866.580.8700 - web: www.emberglo.com - e-mail: sales@emberglo.com