

Replacement Parts



List EmberGlo® Steamer Model ES5PB & ES5PB18

Tap Water Operation
Designed to Operate
Without Distilled Water
Direct Water Supply Hookup



★ MADE in the USA ★

Manual Push Button Operation
Steamer with Direct Water Hookup

Installation and Service Manual - 8449-96

Date Code - Model ES5PB & ES5PB18
first construction May, 1983

Items listed are replacement parts for the current Model ES5PB & ES5PB18 Tap Water Steamer and its components.

- EmberGlo Steamers do not require a separate hood for vapor produced during operation according to the Uniform Mechanical Codes per the International Conference of Building Officials Code.

<i>Models</i>	<i>Description</i>	<i>Volts</i>	<i>BOMs</i>
1500W			
ES5PB	Push Button Operation with Direct Water Connect	120V	5400733
ES5PB	Push Button Operation with Direct Water Connect	240V	5400734
1800W			
ES5PB18	Push Button Operation with Direct Water Connect	120V	5400732



EmberGlo®

EmberGlo
A Div of Midco® International Inc.
4140 West Victoria Street
Chicago, Illinois 60646
toll free 866.705.0514
tel 773.604.8700
fax 773.604.4070
web www.emberglo.com
e-mail sales@emberglo.com

AVOID ERROR IN PARTS SELECTION. When ordering use complete EmberGlo Part Number and Description. Furnish Model Number, Bill of Material Number and Serial Number (if available) from the specification plate found on the product.

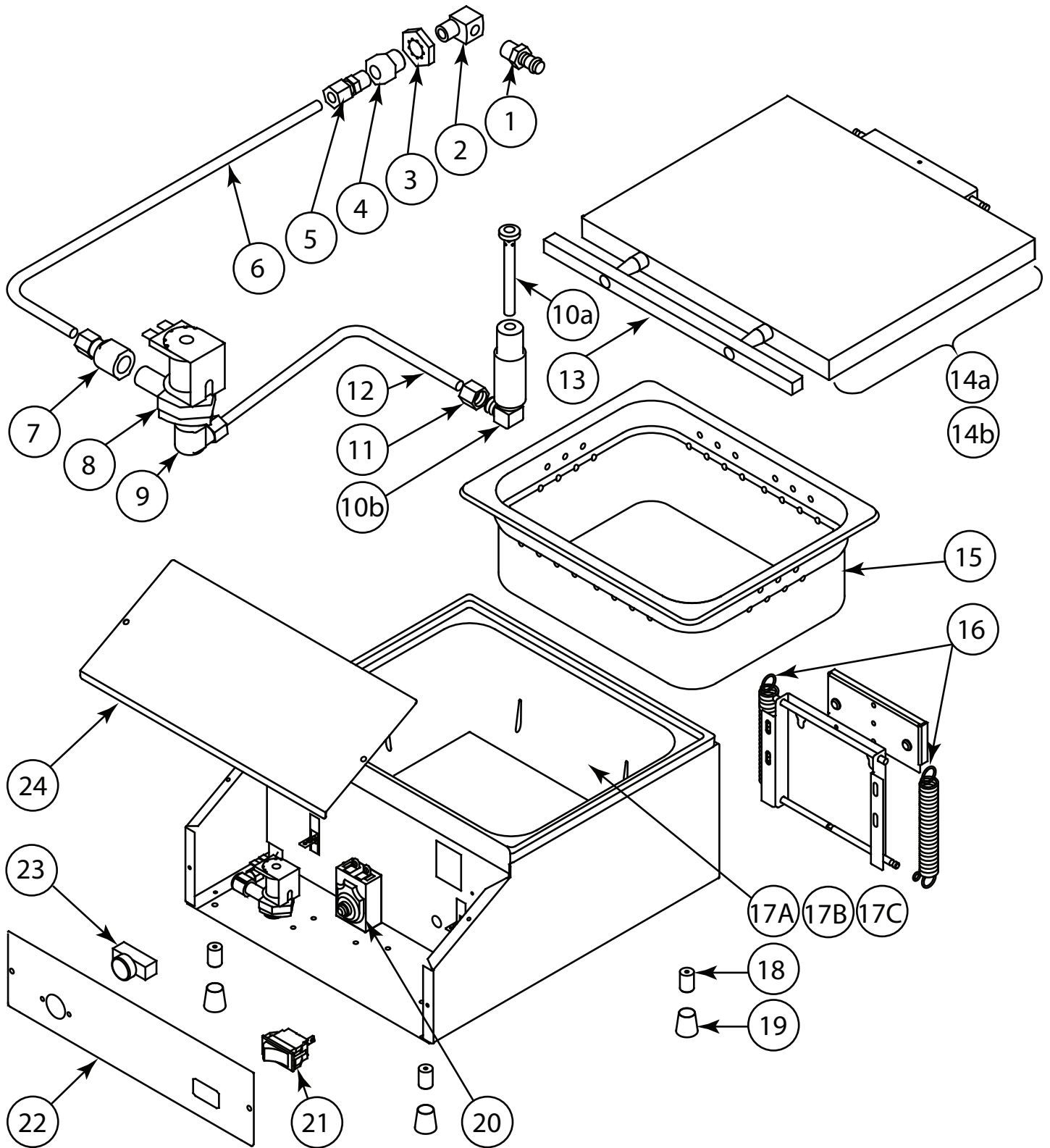
IMPORTANT: Availability of parts as well as specifications are subject to change without notice.

As an ISO 9001:2008 certified company, we proudly design, manufacture and assemble our products in Chicago, Illinois, USA.

Quality Designed for Proven Performance

416
8472 52
Printed in USA

ES5PB & ES5PB18 - Exploded View



ES5PB & ES5PB18 - Parts List

Item#	Part #	Description	Qty	Item#	Part #	Description	Qty
1	8451-47	1/8" Quick Connect Insert	1	Not shown			
2	8483-15	1/8" Brass Street El	1	1408-70	Hose Assembly	1	
3	Hardware	Pal Nut	1	1420-00	Spring Bar	2	
4	1408-40	Bulkhd FTG	1	1421-45	Back Hinge Replacement Kit	1	
5	8483-14	1/8" X 1/4" Straight Connector	1	5608-50	Food Pan Grid 1/2" Tall	1	
6	1408-50	Long Water Tube and Fittings	1	5608-51	Food Pan Grid 1 1/2" Tall	1	
7	8483-16	1/4 X 1/4 Comp El	1	5622-00	Emberglo Name Plate	1	
8	8402-26	1/4" Water Solenoid Valve - 120v	1	8432-08	O Ring	1	
9	8483-49	1/4 X 1/4 Comp Straight	1	8451-46	Strainer	1	
10a	1411-20	Nozzle Tube Assembly w/ Spring	1	8451-48	1/8" Quick Connect Body	1	
10b	1402-70	Water Inlet Assembly	1	8451-49	Female Hose Barb	2	
11	Hardware	Brass Hex Nut	1	8457-46	Strain Relief	1	
12	1408-60	Short Water Tube and Fittings	1				
13	1435-00	Lid Handle Replacement Kit	1				
14a	1420-80R	Lid Assembly (Lid Handle included)	1				
14b	1420-81R	Lid Assembly 1800 Series only (Lid Handle included)	1				
15	1401-90	ES5 Food Pan	1				
16	1420-40	Hinge Spring	2				
17A	1401-64	Generator (120 volt)	1				
17B	1401-61	Generator (220 volt)	1				
17C	1401-63	Generator (1800 Watt)	1				
18	5661-80	Aluminum Leg	4				
19	8450-25	Socket Tip	4				
20	1412-41	Thermal Fuse /Thermostat Kit	1				
21	8423-15	On/Off Rocker Switch	1				
22	1409-20	PB Switch Panel	1				
23	8423-22	Push Button Switch	1				
24	1401-20	Control Box Cover	1				

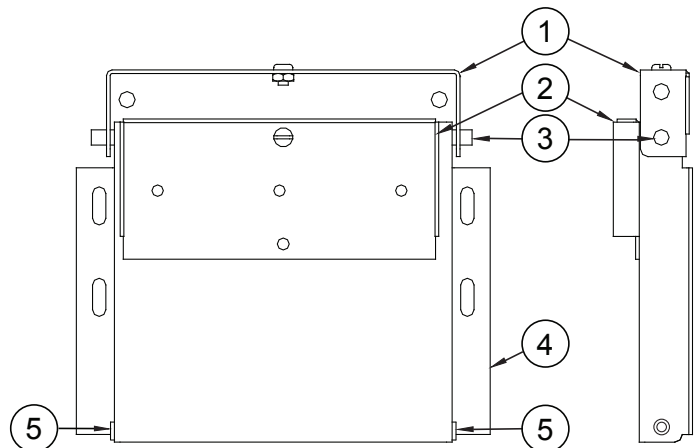
Accessories - Not Shown

5682-60	Tortilla/Pita Rack - Grid Style
5608-70	Three in 1 Basket Kit w/ Handle
5608-72	1/2 Size Basket w/ Handle
5608-73	Two of 1/4 Size Basket w/ Handle
8450-62	Steam Generator Cleaning Brush
2070610	Egg Poacher - 4 Cup
2070615	Egg Poacher - 6 Cup

ADJUSTABLE HINGE FOR 2-POSITION LID OPENING (60° OR 90° OPEN)

First construction January 29, 1990 (date code 0590). Steamers built before this date featured a 90° opening lid. Replacement parts for the early construction are no longer available. When replacing order Part Number 1421-45 ADJUSTABLE HINGE RETROFIT KIT.

Part # or Item #	Description	Qty
1	Adjustable Upper Hinge	1
2	Lid Stop Rivetment	1
3	Upper Hinge Bar	1
4	Adjustable Lower Hinge	1
5	5/16" x 3/16" O-Ring	2
Not Shown - (Sold Separately)		
1420-00	Spring bar	2
1420-40	ES5 Hinge Spring	2



★MADE in the USA★

As an ISO 9001:2008 certified company, we proudly design, manufacture and assemble our products in Chicago, Illinois, USA.

EmberGlo - A Division of Midco International - 4140 West Victoria Street - Chicago, Illinois 60646

toll free: 866 705 0515 - tel: 773.604.8700 - fax: 773.604.4070 - web: www.emberglo.com - e-mail: sales@emberglo.com

