



ES 5M Series Steamer Pump Handle Replacement Installation Kit # 1400-20

CAUTION: Read and understand this service bulletin thoroughly before starting. Only a trained, experienced service technician should attempt this service procedure.

Kit # 1400-20 contains the following:

Item #	Part #	Description	Qty
1	1400-25	Pump Handle Weldment	1
2	1400-30	Pin Punch	1
3	Hardware	5/32" x 7/8" long Spring Pin	1
4	8699-25	Sleeve Tube (1")	1
5	8471-62	Service Bulletin	1

ITEMS NEEDED FOR REPLACEMENT OF HANDLE
Phillips screwdriver

Hammer (brass faced or soft faced hammer recommended)

CAUTION: BEFORE ATTEMPTING SERVICE, SHUT OFF ALL POWER TO THE STEAMER AND ALLOW THE STEAMER TO COOL. PUT ON SAFETY GLASSES.

INSTRUCTIONS FOR REPLACEMENT OF HANDLE

1. Unplug the steamer and remove the two screws from front control panel. (Fig. 1)
2. Release the spring tension by removing the spring ends from the spring seats. (Fig 4)
3. Remove pin from handle shaft using supplied pin punch. with a brass or soft faced hammer. (Fig. 3) Discard old pin.
4. Pull handle out.
5. Insert the new handle through the crank assembly and the coils of the spring.

Figure 3

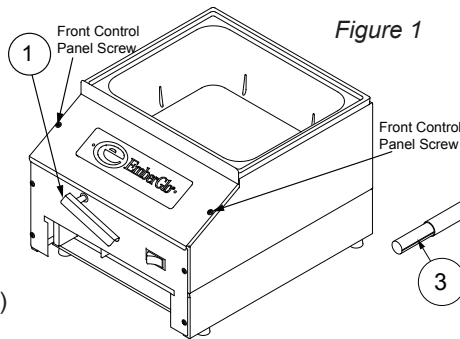
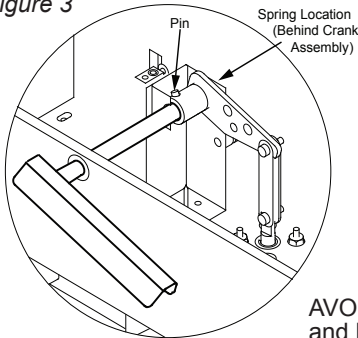


Figure 1

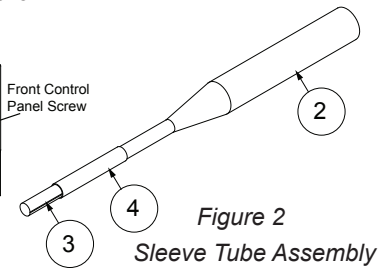


Figure 2
Sleeve Tube Assembly

6. With the handle in the correct orientation position (see Fig 3), align the hole in the handle shaft to the crank assembly hole.
7. Place plastic sleeve on punch tip approximately 1/2 the way on the shaft. Insert and seat spring pin into the plastic sleeve to hold the pin during installation
8. Insert new pin through the handle shaft hole and crank assembly hole. (Fig 3)
9. Re-set the tension in the spring by compressing the spring ends and position them in the correct groves on the spring seats. (Fig 4)
10. Replace the control panel and tighten the two screws. (Fig 1)
11. Re-connect the power supply to the steamer.

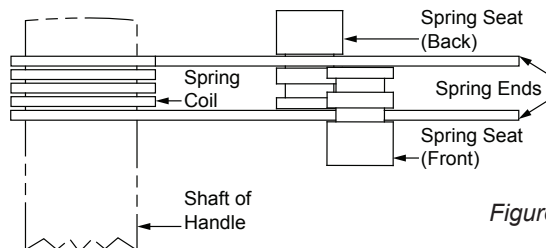


Figure 4

Spring and Spring Seats - Top View

AVOID ERROR IN PARTS SELECTION. When ordering use complete EmberGlo Part Number and Description. Furnish the Product Model Number, Bill of Material Number and Serial Number (if available) from the specification plate found on the product.

IMPORTANT: Availability of parts as well as specifications are subject to change without notice. Please consult factory for item availability.

SAFETY INFORMATION TERMS: The following terms are used to identify hazards, safety precaution of special notations and have standard meanings throughout this manual. They are printed in all capital letters using a bold type face as shown below, and preceded by the exclamation mark symbol. When you see the safety alert symbol and one of the safety information terms as shown below, be aware of the hazard potential.



- DANGER:** Identifies the most serious hazards which will result in severe personal injury or death.
- WARNING:** Signifies a hazard that could result in personal injury or death.
- CAUTION:** Identifies unsafe practices which would result in minor personal injury or product and property damage.



EmberGlo

EmberGlo
A Div of Midco® International Inc.
4140 West Victoria Street
Chicago, Illinois 60646
toll free 866.705.0515
tel 773.604.8700
fax 773.604.4070
web www.emberglo.com
e-mail sales@emberglo.com