



## ES 5 Series Steamer Lid Handle Replacement Installation Kit # 1435-00

**CAUTION:** Read and understand this service bulletin thoroughly before starting. Only a trained, experienced service technician should attempt this service procedure.

### KIT CONTENTS

|         |                                      |   |
|---------|--------------------------------------|---|
| 1435-10 | Handle (square metal tube)           | 1 |
| 6256-50 | Spud Bag                             | 1 |
| 8457-71 | Glossy Plugs (round plastic inserts) | 2 |
| 1401-50 | Aluminum Spacer (aluminum cylinders) | 2 |
| 8470 99 | Service Bulletin                     | 1 |
|         | 10-32 x 2" Screws                    | 2 |
|         | #10 Split Lock Washer                | 2 |

This kit contains the parts necessary to replace the LID HANDLE on any ES5 Steamer. Prior to starting, check that all the parts in this kit have been received.

**CAUTION:** BEFORE ATTEMPTING SERVICE, SHUT OFF ALL POWER TO THE STEAMER AND ALLOW THE STEAMER TO COOL. PUT ON SAFETY GLASSES.

### INSTRUCTIONS

- Lid can remain on steamer to replace handle.
- If older style handle ("D" shaped cross section), slide out the vinyl-clad cover to expose the mounting screws. If newer style handle, remove Glossy Plugs with a small screwdriver.
- Unscrew handle screws with a phillips screwdriver. These screws are screwed into weld-nuts that are welded to the inside of the lid. If the screws do not come out, the weld nuts may have broken loose. In this case the whole lid should be replaced.
- Attach the new handle with the screws and spacers supplied, as shown in the sketch below.
- Snap-in the Glossy Plugs.

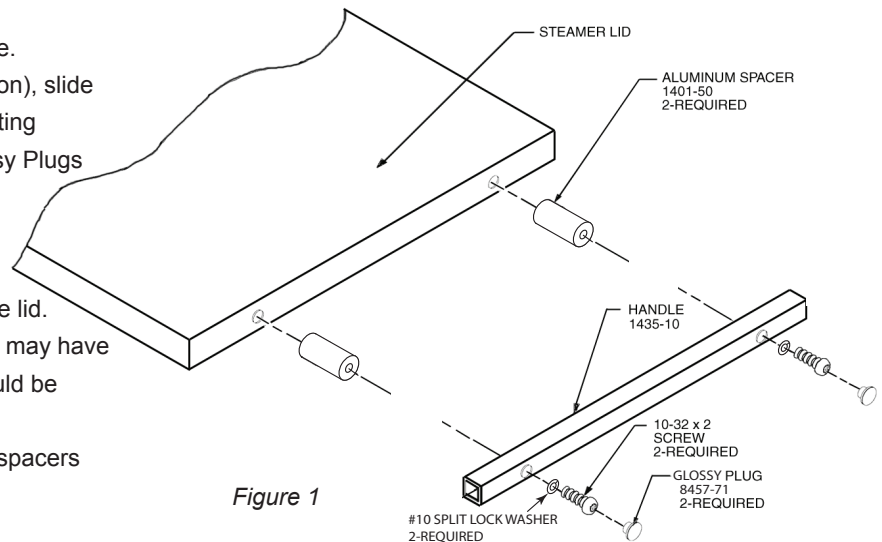


Figure 1

**AVOID ERROR IN PARTS SELECTION.** When ordering use complete EmberGlo Part Number and Description. Furnish the Product Model Number, Bill of Material Number and Serial Number (if available) from the specification plate found on the product.

**IMPORTANT:** Availability of parts as well as specifications are subject to change without notice. Please consult factory for item availability.

**SAFETY INFORMATION TERMS:** The following terms are used to identify hazards, safety precaution of special notations and have standard meanings throughout this manual. They are printed in all capital letters using a bold type face as shown below, and preceded by the exclamation mark symbol. When you see the safety alert symbol and one of the safety information terms as shown below, be aware of the hazard potential.

- DANGER:** Identifies the most serious hazards which will result in severe personal injury or death.
- WARNING:** Signifies a hazard that could result in personal injury or death.
- CAUTION:** Identifies unsafe practices which would result in minor personal injury or product and property damage.



**EmberGlo**

EmberGlo  
A Div of Midco® International Inc.  
4140 West Victoria Street  
Chicago, Illinois 60646  
toll free 866.705.0515  
tel 773.604.8700  
fax 773.604.4070  
web www.emberglo.com  
e-mail sales@emberglo.com